

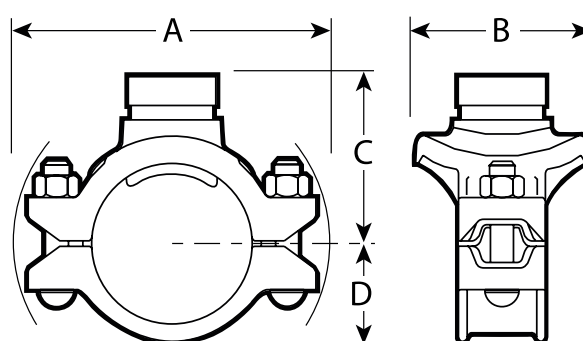
# TEE MECÁNICA RANURADA



Colores Referenciales

- ◆ Material: Fierro Dúctil A536
- ◆ Sistema tipo Victaulic
- ◆ Presión hasta 300 PSI

\* Fotos y medidas referenciales.



Tamaño mm / in	Tubo O.D mm / in	Presión de Trabajo PSI / MPa	Dia. Agujero mm / in +1.6,0/+0.063,0	Dimensiones mm / in				Tamaño de perno Nº - Tamaño mm
				A	B	C	D	
50x32 2x1¼	60.3x42.4 2.375x1.660	300 2.07	45 1.75	116 4.57	76 2.99	69.5 2.74	39 1.54	3/8x55
50x40 2x1½	60.3x48.3 2.375x1.900	300 2.07	45 1.75	116 4.57	76 2.99	69.5 2.74	39 1.54	3/8x55
65x32 2½x1¼	73.0x42.4 2.875x1.660	300 2.07	51 2	144 5.67	84.5 3.33	75 2.95	49 1.93	1/2x60
65x25 76.1x1	76.1x33.7 3.000x1.315	300 2.07	38 1.5	137 5.39	71 2.8	78 3.07	49.5 1.95	1/2x75
65x32 76.1x1¼	76.1x42.4 3.000x1.660	300 2.07	51 2	137 5.39	84.5 3.33	78 3.07	49.5 1.95	1/2x75
65x40 76.1x1½	76.1x48.3 3.000x1.900	300 2.07	51 2	137 5.39	84.5 3.33	78 3.07	49.5 1.95	1/2x75
80x25 3x1	88.9x33.7 3.500x1.315	300 2.07	38 1.5	152 5.98	72.5 2.85	84.5 3.33	56.5 2.22	1/2x75
80x32 3x1¼	88.9x42.4 3.500x1.660	300 2.07	51 2	152 5.98	85.5 3.37	84.5 3.33	56.5 2.22	1/2x75
80x40 3x1½	88.9x48.3 3.500x1.900	300 2.07	51 2	152 5.98	85.5 3.37	84.5 3.33	56.5 2.22	1/2x75
80x50 3x2	88.9x60.3 3.500x2.375	300 2.07	64 2.5	152 5.98	98 3.86	84.5 3.33	56.5 2.22	1/2x75
100x25 4x1	114.3x33.7 4.500x1.315	300 2.07	38 1.5	188 7.4	78.4 3.09	102 4.02	70 2.76	1/2x75
100x40 4x1½	114.3x48.3 4.500x1.900	300 2.07	51 2	188 7.4	89 3.5	102 4.02	70 2.76	1/2x75
100x50 4x2	114.3x60.3 4.500x2.375	300 2.07	64 2.5	188 7.4	104.5 4.11	102 4.02	70 2.76	1/2x75
100x65 4x2½	114.3x73.0 4.500x2.875	300 2.07	70 2.75	188 7.4	104.5 4.11	102 4.02	70 2.76	1/2x75

# TEE MECÁNICA RANURADA



Tamaño mm / in	Tubo O.D mm / in	Presión de Trabajo PSI / MPa	Día. Agujero mm / in +1.6,0/+0.063,0	Dimensiones mm / in				Tamaño de perno
				A	B	C	D	Nº - Tamaño mm
100x65 4x76.1	114.3x76.1 4.500x3.000	300 2.07	70 2.75	188 7.4	104.5 4.11	102 4.02	70 2.76	1/2x75
100x80 4x3	114.3x88.9 4.500x3.500	300 2.07	89 3.5	188 7.4	124 4.88	102 4.02	70 2.76	1/2x75
125x80 133.0x3	133.0x88.9 5.250x3.500	300 2.07	89 3.5	209 8.23	132 5.2	109.5 4.31	77 3.03	5/8x85
125x50 139.7x2	139.7x60.3 5.500x2.375	300 2.07	64 2.5	221.5 8.72	112.5 4.43	118 4.65	84 3.31	5/8x85
125x65 139.7x76.1	139.7x76.1 5.500x3.000	300 2.07	70 2.75	221.5 8.72	112.5 4.43	118 4.65	84 3.31	5/8x85
125x80 139.7x3	139.7x88.9 5.500x3.500	300 2.07	89 3.5	221.5 8.72	136 5.35	122 4.8	84 3.31	5/8x85
125x100 139.7x4	139.7x114.3 5.500x4.500	300 2.07	114 4.5	221.5 8.72	160 6.3	125 4.92	84 3.31	5/8x85
150x100 159.0x108.0	159.1x108.0 6.250x4.250	300 2.07	114 4.5	244 9.6	154 6.06	133 5.24	94 3.7	5/8x110
150x100 159.0x4	159.1x114.3 6.250x4.500	300 2.07	114 4.5	244 9.6	159 6.26	125 4.92	94 3.7	5/8x110
150x50 165.1x2	165.1x60.3 6.500x2.375	300 2.07	64 2.5	244 9.6	112.5 4.43	127 5	97.5 3.84	5/8x110
150x65 165.1x76.1	165.1x76.1 6.500x3.000	300 2.07	70 2.75	244 9.6	112.5 4.43	127 5	97.5 3.84	5/8x110
150x80 6½O.Dx3	165.1x88.9 6.500x3.500	300 2.07	89 3.5	244 9.6	132 5.2	141 5.55	97.5 3.84	5/8x110
150x100 6½O.Dx4	165.1x114.3 6.500x4.500	300 2.07	114 4.5	244 9.6	154 6.06	135 5.32	97.5 3.84	5/8x110
150x40 6x1½	168.3x48.3 6.500x1.900	300 2.07	51 2	247 9.72	95 3.74	128 5.04	98.5 3.88	5/8x110
150x50 6x2	168.3x60.3 6.625x2.375	300 2.07	64 2.5	247 9.72	114 4.49	134 5.28	98.5 3.88	5/8x110
150x65 6x2½	168.3x73.0 6.625x2.875	300 2.07	70 2.75	247 9.72	115 4.53	134 5.28	98.5 3.88	5/8x110
150x80 6x3	168.3x88.9 6.625x3.500	300 2.07	89 3.5	247 9.72	132 5.2	141 5.55	98.5 3.88	5/8x110
150x100 6x4	168.3x114.3 6.625x4.500	300 2.07	114 4.5	247 9.72	156.5 6.16	138 5.43	98.5 3.88	5/8x110
200x50 8x2	219.1x60.3 8.625x2.375	300 2.07	64 2.5	322 12.68	118 4.65	158 6.22	125 4.92	3/4x115
200x65 8x76.1	219.1x76.1 8.625x3.000	300 2.07	70 2.75	322 12.68	118 4.65	158 6.22	125 4.92	3/4x115
200x80 8x3	219.1x88.9 8.625x3.500	300 2.07	89 3.5	322 12.68	136.5 5.37	161 6.34	125 4.92	3/4x115
250x100 10x4	273.0x114.3 10.750x4.500	300 2.07	114 4.5	376 14.8	164 6.46	189 7.44	1.55 6.1	3/4x120

\* Fotos y medidas referenciales.